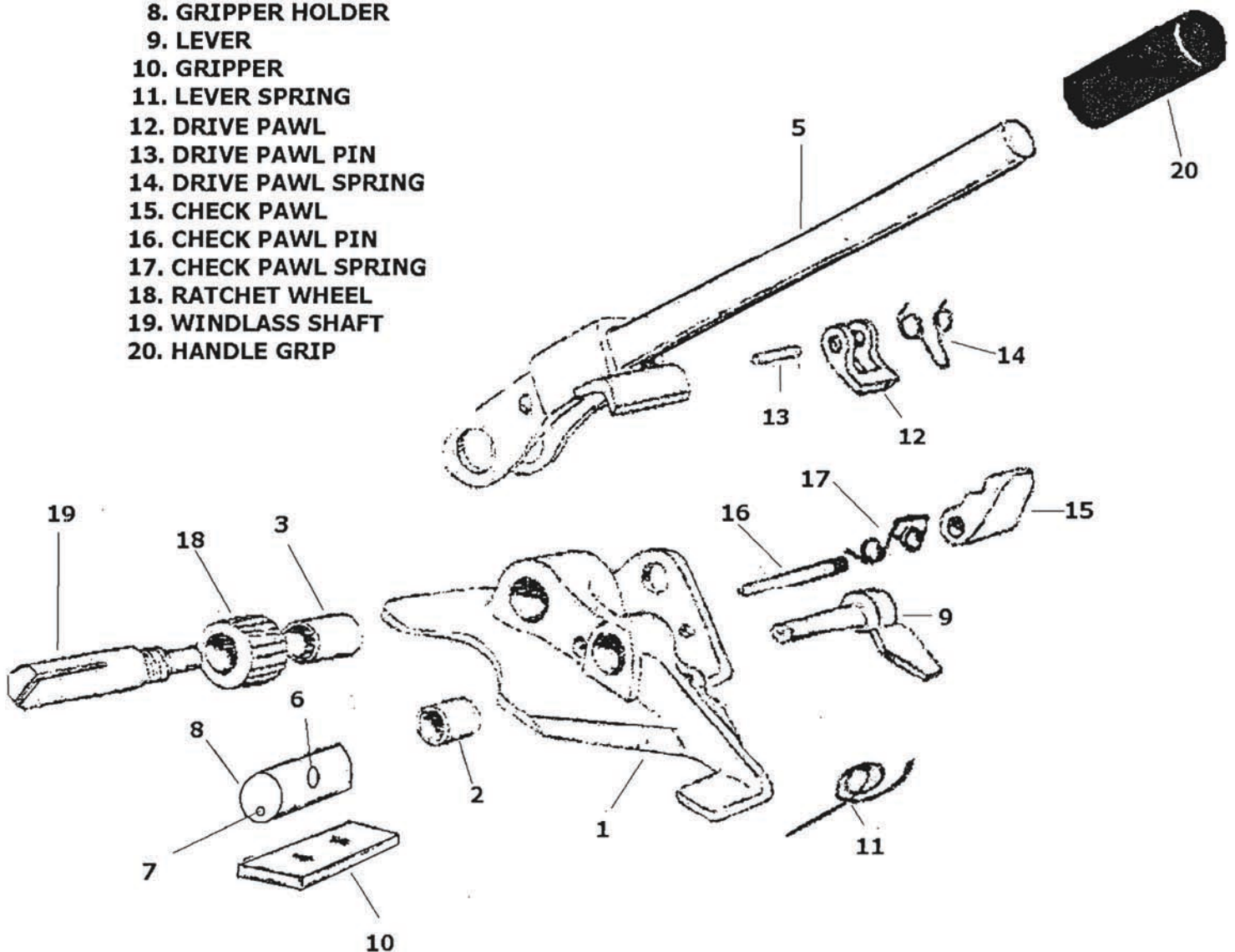




USA STRAPPING

PRO-2000 & PRO-2090 Schematic

1. BASE
2. STEEL BUSHING
3. BRONZE BUSHING
5. HANDLE
6. HOLDER PIN
7. GRIPPER PIN
8. GRIPPER HOLDER
9. LEVER
10. GRIPPER
11. LEVER SPRING
12. DRIVE PAWL
13. DRIVE PAWL PIN
14. DRIVE PAWL SPRING
15. CHECK PAWL
16. CHECK PAWL PIN
17. CHECK PAWL SPRING
18. RATCHET WHEEL
19. WINDLASS SHAFT
20. HANDLE GRIP



www.USAststrap.com