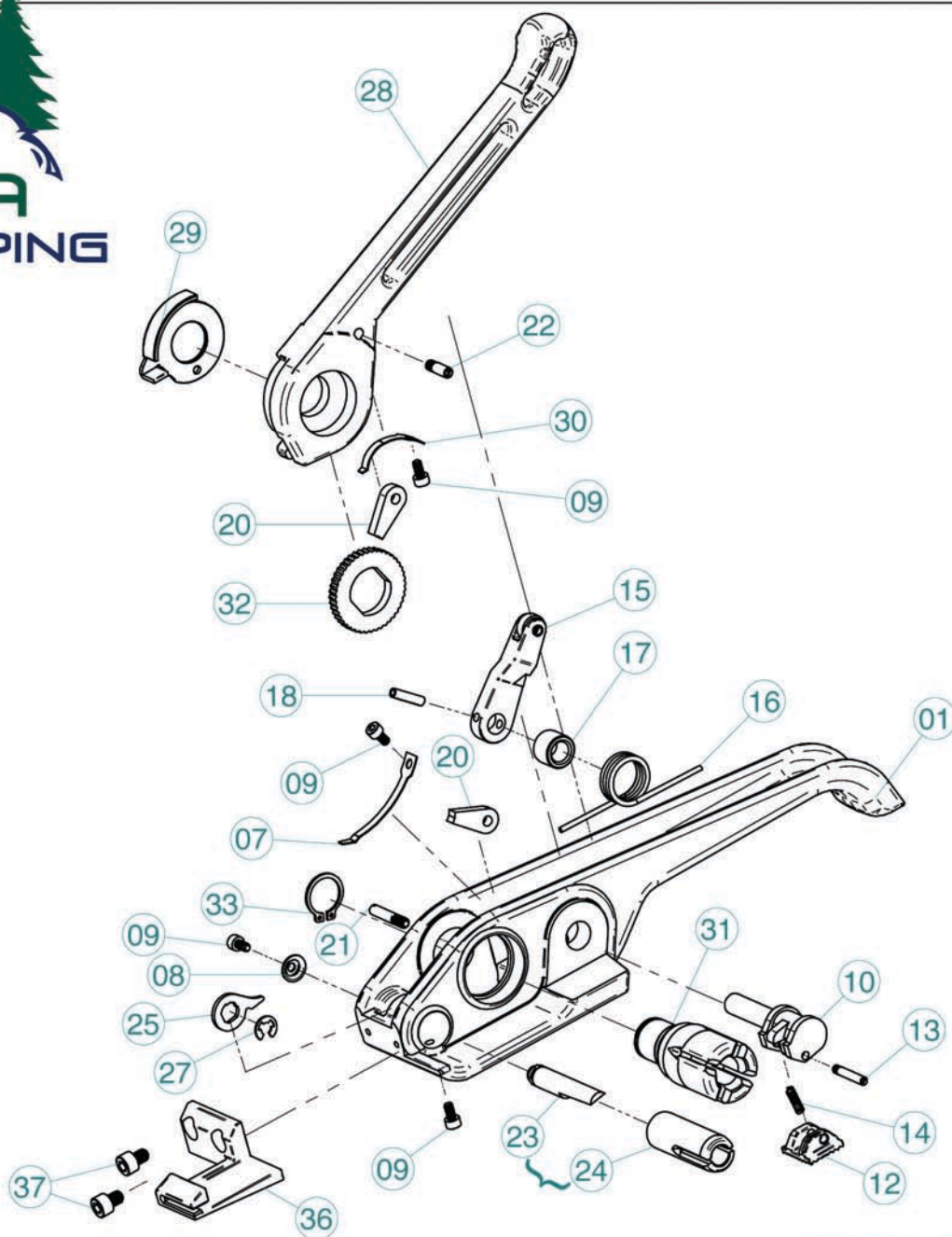




RB-268 Windlass Tensioner



RB-268 Schematic

www.USAstrap.com

Part No.	Part Name	Qty/Tool	Part No.	Part Name	Qty/Tool
01	Base	1	22	Handle Shaft	1
07	Base Toggle Spring	1	23	Cutter Blade	1
08	Washer	1		24	
09	Screw M4x8	4	25	Cutter Cam	1
10	Leg	1	27	E Ring	1
12	Gripper	1	28	Handle	1
13	Gripper Screw	1	29	Nose Hook	1
14	Foot Spring	1	30	Handle Spring	1
15	Lever Release Assembly	1	31	Windlass	1
16	Main Spring	1	32	Ratchet Wheel	1
17	Main Spring Bushing	1	33	Clip Ring	1
18	Spring Pin	1	36	Breaker Nose	1
20	Toggle	2	37	Screw M6x8	2
21	Base Shaft	1			

Keep tool well oiled and clean. Please order parts by number and name.