

## OPERATION, PARTS AND SAFETY MANUAL

*It is the customer's responsibility to have all operators and servicemen read and understand this manual.*

### GENERAL SAFETY INSTRUCTIONS

READ THESE INSTRUCTIONS CAREFULLY. FAILURE TO FOLLOW THESE INSTRUCTIONS CAN RESULT IN SEVERE PERSONAL INJURY.

#### GENERAL CONSIDERATIONS

**1. EYE INJURY HAZARD.**

Failure to wear safety glasses with side shields can result in severe eye injury or blindness. Always wear safety glasses with side shields which conform to ANSI Standard Z87.1 or EN 166.



**2. FALL HAZARD.**

Maintaining improper footing and/or balance when operating the tool can cause you to fall. Do not use the tool when you are in an awkward position.

**3. CUT HAZARD**

Always wear protective gloves when handling strap or sharp parts.



**4. TRAINING.**

This tool must not be used by persons not properly trained in its use. Be certain that you receive proper training from your employer. If you have any questions contact your Signode Representative.

**5. TOOL CARE.**

Take good care of the tool. Inspect and clean it daily, lubricate it weekly. Replace any worn or broken parts.

**6. WORK AREA**

Keep work areas uncluttered and well lit.

**7. TENSIONING STRAP.**

When tensioning strap use proper tensioner for specific strap sizes. Read the tensioner's operation and safety manual.

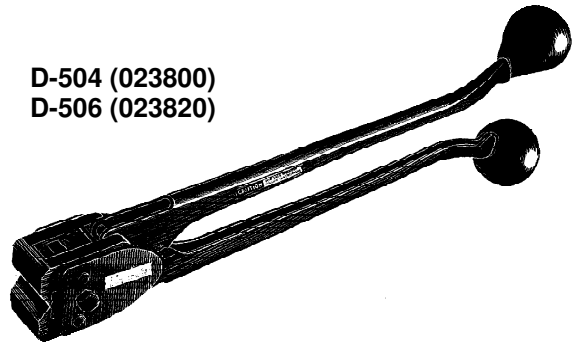
**8. CUTTING TENSIONED STRAP**

Using claw hammers, crowbars, chisels, axes or similar tools will cause tensioned strap to fly apart with hazardous force. Use only cutters designed for cutting strap. Read the instructions in the cutters manual for proper procedure in cutting strap. Before using any Signode product read its operation and safety manual.

Several combinations of strap, seals and tools can be used with this sealer. Use the correct Signode products for your application. If you need help contact your Signode Representative.

### D TYPE MANUAL SEALERS

D-504 (023800)  
D-506 (023820)

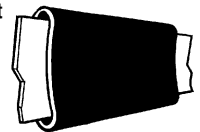


#### TOOL SPECIFICATIONS

MODEL	TYPE & WIDTH	THICKNESS	SEALS
D-504	502,504 Dymax, 1/2" 814,816 Contrax, 1/2" 1816,1818 Tenax, 1/2"	.015 TO .020 .016 TO .021 .017 TO .020	50DY,DYS
D-506	506,508 Dymax, 1/2" 818, Contrax, 1/2" 1822, Tenax, 1/2"	.025 TO .030 .025 .028	50DY

#### SAFETY PROCEDURES FOR TOOL OPERATION

1. Before using this sealer, read all the instructions in this Operation, Parts and Safety Manual.
2. Always lift and carry the tool by the tool handle knob. Lifting the tool at any other point may expose the hand to a "pinch point".
3. Make sure the sealer jaws are placed directly on the seal.
4. While sealing, position yourself to one side of the tensioned strap.
5. This tool is designed for use with grit seals and plastic strap only. A properly crimped seal will appear as shown in the illustration. If the notched seal does not appear as shown, inspect the tool for worn and/or damaged parts. Replace tool parts as needed. Do not ship any loads secured with improperly crimped seals. Seal must be properly crimped.



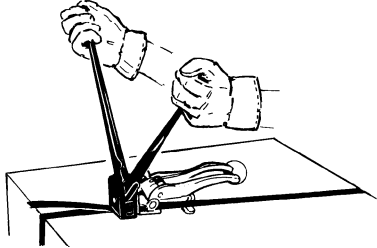
**IMPORTANT - DO NOT DESTROY THIS MANUAL.** It is the customer's responsibility to have all operators and service personnel read and understand this manual. Contact your local Signode representative for additional copies of this manual.

## OPERATING INSTRUCTIONS

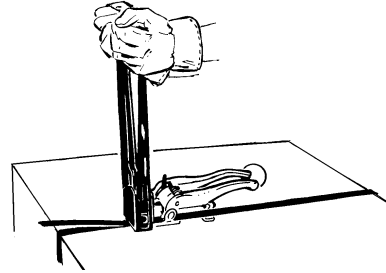
### **WARNING**

Always wear safety glasses which conform to ANSI Standard Z87.1 or EN 166. Position yourself to one side of the tensioned strap while sealing. Maintain proper footing and balance.

1. Fully open the sealer handles and center the open jaws on the seal.



2. Bring the sealer handles completely together to assure a proper crimp.

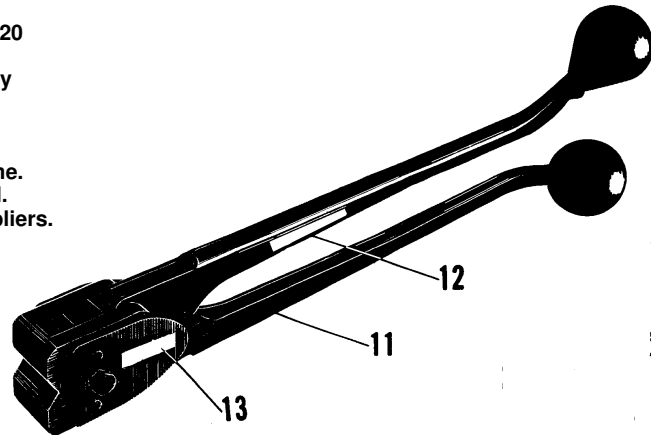


3. Remove the sealer. Cut the strap end flush with the end of the seal and inspect the seal to make sure a proper joint has been formed.
4. To avoid contact with the sharp end of the strap, retract strap end back into the strap dispenser.

## PART LIST

KEY	QTY.	PART NO. D-504	PART NO. D-506	DESCRIPTION
2	1	009392	009392	Spacer washer, 3/16 standard
3	1	<u>023803</u>	<u>023803</u>	<u>Toggle pin</u>
4	2	<u>023802</u>	<u>023802</u>	<u>Jaw</u>
5	2	<u>023805</u>	<u>023805</u>	<u>Link pin</u>
6	2	<u>023804</u>	<u>023804</u>	<u>Jaw pin</u>
7	1	023809	023809	Hex head bolt, 1/4-20 x 1 5/8
8	1	023801	023811	Chair
9	1	005319	005319	Flexloc nut, 1/4-20
10	2	023806	023806	Side plate
11	2	023810	023810	Handle assembly
12	1	003133	003133	Caution plate
13	1	023808	023821	Nameplate

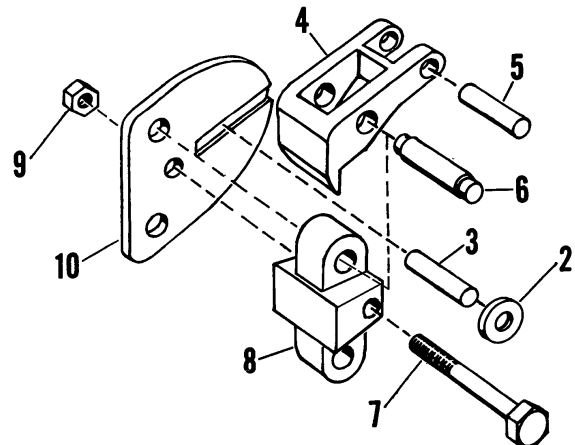
When ordering parts, please show tool model, part number and name. All recommended spare parts are underlined and should be stocked. Standard hardware parts may be obtained from local hardware suppliers.



## MAINTENANCE

Inspect tool daily for worn or broken parts and replace if necessary.

Clean tool and apply light machine oil to all moving parts - weekly.



### **WARNING**

All parts must be periodically inspected and replaced if worn or broken. Failure to do this can affect a product's operation and can result in personal injury.