

# OPERATION, PARTS AND SAFETY MANUAL



# **SIGNODE®**

**DF-15**

**STRAP DISPENSER**

**IMPORTANT!  
DO NOT DESTROY**

**It is the customer's responsibility to  
have all operators and servicemen  
read and understand this manual.**

Contact your local Signode representative  
for additional copies of this manual.

***READ ALL INSTRUCTIONS BEFORE OPERATING THIS SIGNODE PRODUCT***

---

**SIGNODE • 3620 WEST LAKE AVENUE • GLENVIEW, ILLINOIS 60025**

---

# **SAFETY INSTRUCTIONS**

**READ THESE INSTRUCTIONS CAREFULLY.**

**FAILURE TO FOLLOW THESE INSTRUCTIONS CAN RESULT IN SEVERE PERSONAL INJURY.**

## **GENERAL SAFETY CONSIDERATIONS**

**1. EYE INJURY HAZARD.**

Failure to wear safety glasses with side shields can result in severe eye injury or blindness. Always wear safety glasses with side shields which conform to ANSI Standard Z87.1 or EN 166.



**2. CUT HAZARD.**

Handling strap or sharp parts could result in cut hands or fingers. Wear protective gloves.



**3. TRAINING.**

This dispenser must not be used by persons not properly trained in its use. Be certain that you receive proper training from your employer. If you have any questions contact your Signode Representative.

**4. DISPENSER CARE.**

Take good care of this dispenser. Inspect and clean it weekly. Replace any worn or broken parts.

**5. WORK AREA.**

Keep work areas uncluttered and well lighted.

## **SAFETY PROCEDURES FOR DISPENSER OPERATION**

**1. Before loading a coil of strap into the dispenser, read the loading and safety instructions.**

- Install dispenser properly before using it.
- Maintain proper footing and balance when loading dispenser.
- Do not load dispenser when you are in an awkward position. Use proper lifting techniques when loading a coil of strap into the dispenser.
- When mounting dispensers on wall and/or columns, use the proper Signode suspension brackets.

**2. Tuck strap end back into dispenser straproller area when not in use.**

## **CUTTING TENSIONED STRAP**

Use only cutters designed for cutting strap; never use claw hammers, crowbars, chisels, axes or similar tools. Such tools will cause the strap to fly apart with hazardous force. Before using any Signode product read its Operation and Safety manual.

**TABLE OF CONTENTS**

**General Safety Instructions**            2

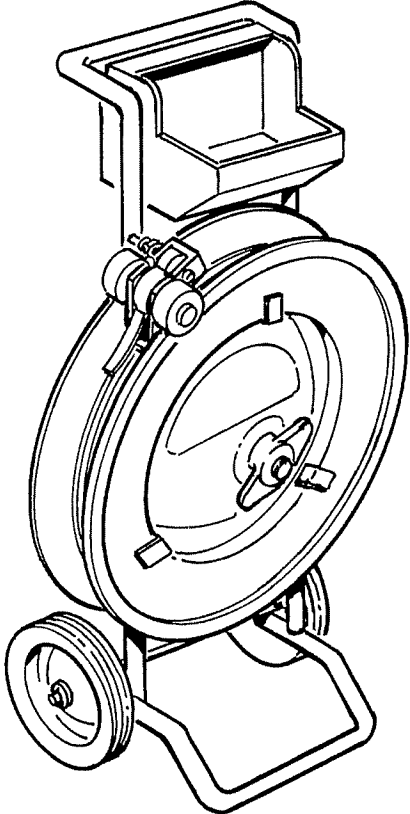
**Specifications**                                3

**Loading a Coil of Steel Strap**        4

**Parts List, Dispenser**                    6

**Parts List, Straproller**                  7

**DF-15 DISPENSER**  
Part No. 273725



**SPECIFICATIONS**

MODEL	STRAP		COIL	
	TYPE	WIDTH	WIND	FACE WIDTH
DF-15	STEEL	3/8" TO 3/4"	MILL WOUND	2 5/8"

## LOADING AND THREADING INSTRUCTIONS FOR STEEL STRAP

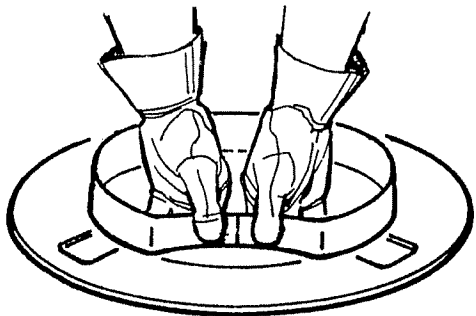
To load a new coil of steel strap follow the steps below:

1. Lay the dispenser down on its back and loosen the wing nut (7) by turning it counterclockwise. Remove the wing nut and the reel disc assembly (9).
2. Remove the steel liner, which has been left over from the depleted coil of strap. Remove the liner as follows:
3. Before installing the coil of strap, note the pay-off direction of the lead end. When the coil is mounted, the lead end should point toward the straproller. As the strap is used the coil and flanges will rotate in the counter-clockwise direction.
4. A new coil of steel strap can now be placed in the dispenser.

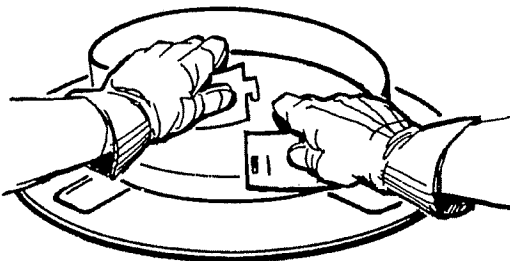
### **⚠ WARNING**

Wear safety glasses and gloves. Edges of the steel liner may be sharp. Use care in removing the liner. Properly discard the liner.

- a. Grasp the liner with both gloved hands, placing one on each side of the locking tab. Bow the liner inward.



- b. Lift upwards to free the liner from the base flange. Hold both ends of the liner firmly and lift the tab end to disengage the lock.

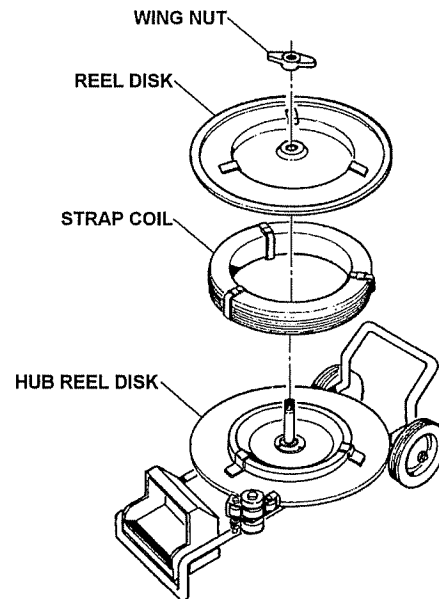


- c. Allow the liner to slowly straighten before releasing either end.

### **⚠ WARNING**

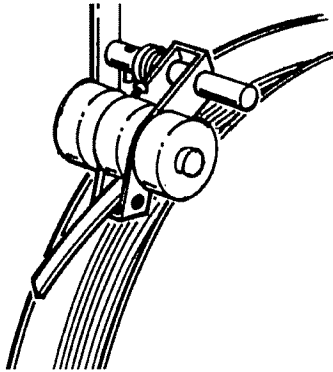
Coils of steel strap are heavy. Use proper lifting techniques to avoid personal injury.

5. Lower the new coil over the central hub and allow it to settle into the circular indentation on the hub reel disc (8).



6. Position the three coil ties above the three small indentations. These indentations allow the ties to be removed without disturbing the coil.

7. Cut the tie closest to the lead-end of the strap and remove the cut tie.
8. The lead end is then threaded through the straproller, as shown.
9. Cut and remove the remaining ties. Place the reel disc assembly on the coil, making sure the edge of the disc butts up against the straproller rollers.



10. Replace and securely tighten the wing nut by turning it in the clockwise direction.

## **CAUTION**

The wing nut must be tight, otherwise the wraps of the strap can become entangled.

11. When the wing nut is secure, stand the dispenser upright. Turn the lead-end back on itself and tuck it between the two central pay-off rollers of the straproller assembly to prevent personal injury.

**PARTS LIST, DISPENSER, 273725**

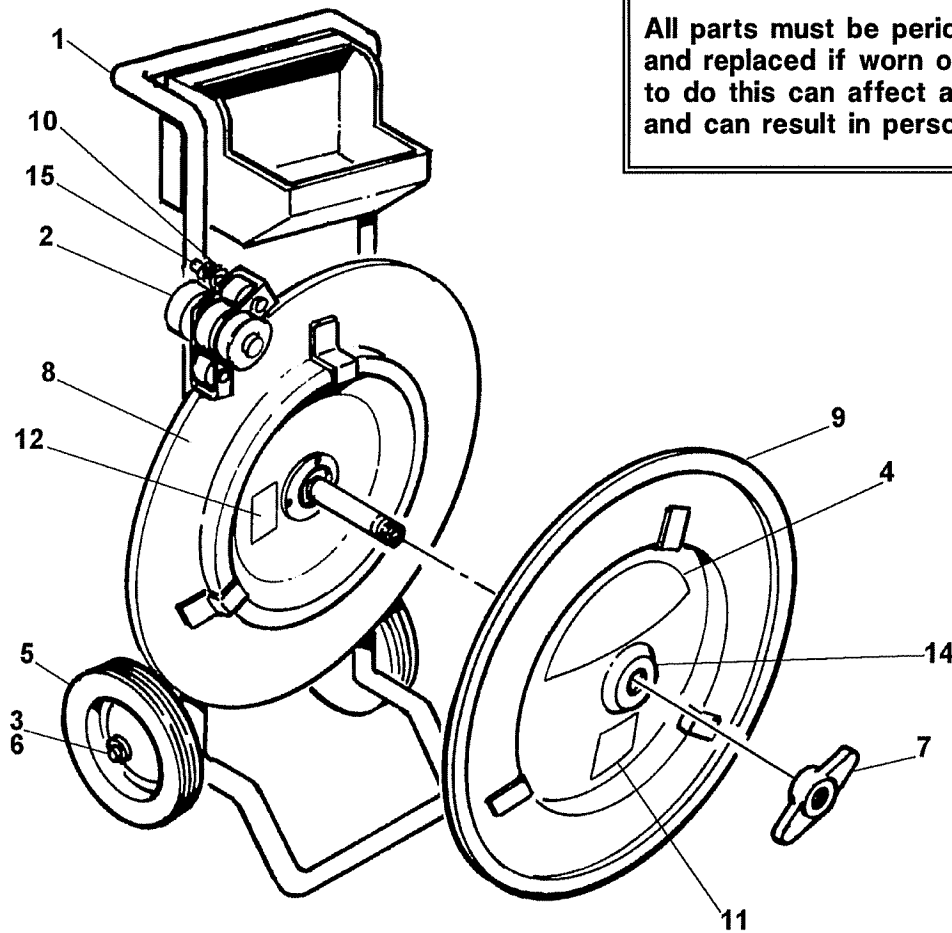
<u>KEY</u>	<u>QTY.</u>	<u>PART NO.</u>	<u>DESCRIPTION</u>
1	1	273724	Dispenser
2	1	423281	Straptroller
3	2	273720	Axle nut
4	1	273721	Identification label
5	2	003393	Wheel
6	4	001255	Washer
7	1	002897	Wing nut
8	1	003410	Hub reel disc assembly
9	1	003445	Reel disc assembly
10	1	306818	Spring, left-handed
11	1	286224	Warning sign
12	1	024315	Directional arrow
14	2	003449	Washer, hub
15	1	009074	Roll pin

- When ordering parts, please show model, part number and description.

- Standard hardware parts may be obtained from any local hardware outlet.

**⚠ WARNING**

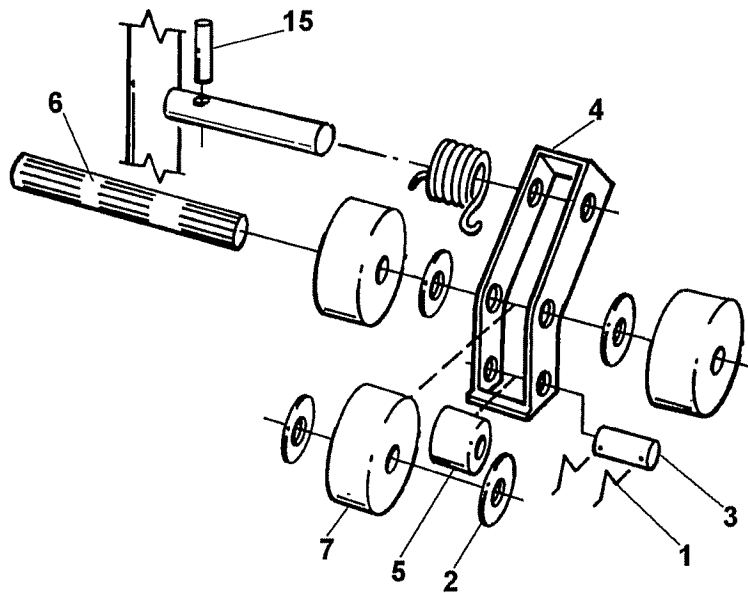
All parts must be periodically inspected and replaced if worn or broken. Failure to do this can affect a product's operation and can result in personal injury.



## PARTS LIST, STRAPTROLLER, 423281

<u>KEY</u>	<u>QTY.</u>	<u>PART NO.</u>	<u>DESCRIPTION</u>
1	2	002881	Pressure wheel spring
2	4	003418	Washer
3	1	002882	Pressure wheel pin
4	1	003420	Roller frame assembly
5	1	003422	Pressure wheel
6	1	273723	Roller shaft
7	3	003417	Contact roller

- When ordering parts, please show model, part number and description.
- Standard hardware parts may be obtained from any local hardware outlet.



### **⚠ WARNING**

All parts must be periodically inspected and replaced if worn or broken. Failure to do this can affect a product's operation and can result in personal injury.

---

**SIGNODE • 3610 W. LAKE AVENUE • GLENVIEW, ILLINOIS 60025**

---

PRINTED IN U.S.A

**© Copyright 1998, Signode 286088 Rev. 2/98**