

OPERATION, PARTS AND SAFETY MANUAL

It is the customer's responsibility to have all operators and servicemen read and understand this manual.

GENERAL SAFETY INSTRUCTIONS

READ THESE INSTRUCTIONS CAREFULLY. FAILURE TO FOLLOW THESE INSTRUCTIONS CAN RESULT IN SEVERE PERSONAL INJURY.

- STRAP BREAKAGE HAZARD.**
Improper operation of the tool or sharp corners on the load can result in strap breakage during tensioning, which could result in the following:

- A sudden loss of balance causing you to fall.
- Both tool and strap flying violently towards your face.

Failure to place the strap properly around the load or an unstable or shifted load could result in a sudden loss of strap tension during tensioning. This could result in a sudden loss of balance causing you to fall.


Read the tool's operating instructions. If the load corners are sharp use edge protectors. Place the strap correctly around a properly positioned load.

- Positioning yourself in-line with the strap, during tensioning and sealing, can result in severe personal injury from flying strap or tool. When tensioning or sealing, position yourself to one side of the strap and keep all bystanders away.
- Properly crimp or notch the seal.
- Tuck strap end back into dispenser when not in use.

- TRAINING.**
This tool must not be used by persons not properly trained in its use. Be certain that you receive proper training from your employer. If you have any questions contact your Signode Representative.

- EYE INJURY HAZARD.**
Failure to wear safety glasses with side shields can result in severe eye injury or blindness. Always wear safety glasses with side shields which conform to ANSI Std. Z87.1 or EN 166. 

- FALL HAZARD.**
Maintaining improper footing and/or balance when operating the tool can cause you to fall. Do not use the tool when you are in an awkward position.

- CUT HAZARD.**
Handling strap or sharp parts could result in cut hands or fingers. Wear protective gloves. 

- TOOL CARE.**
Take good care of the tool. Inspect and clean it daily, lubricate it weekly and adjust when necessary. Replace any worn or broken parts.

- WORK AREA.**
Keep work areas uncluttered and well lighted.

- CUTTING TENSIONED STRAP**
Using claw hammers, crowbars, chisels, axes or similar tools can cause tensioned strap to fly apart with hazardous force. Use only cutters designed for cutting strap. Read the instructions in the cutter's manual for proper procedure in cutting strap. Before using any Signode product read its Operation and Safety Manual.

WHD-34 TENSIONER

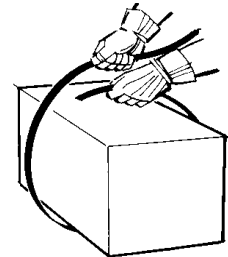
For 3/4" (19mm) plastic strap up to .055" (1.40mm) thick.
Part Number 425900



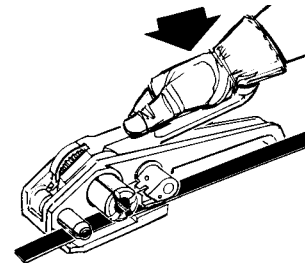
Use the correct Signode products for your application. If you need help contact your Signode Representative.

OPERATING INSTRUCTIONS

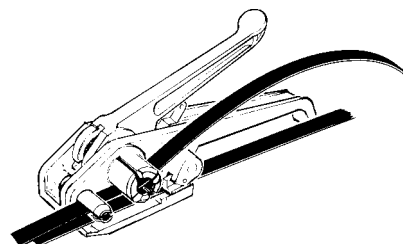
1. Circle the package with strap as shown.



2. Hold the tensioner in your right hand and press the tension lever against the housing assembly. Place the lower strap beneath the gripper and inward until it touches the side of the housing. The strap end must protrude 2" (50mm) beyond the front of the tool. Release the tension lever.

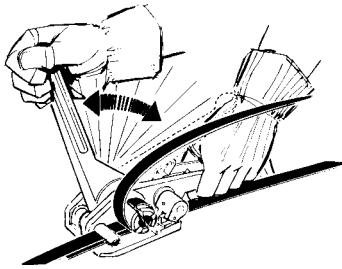


3. Fully insert the upper strap into the slot of the cutter mechanism and the windlass.



OPERATING INSTRUCTIONS, Continued

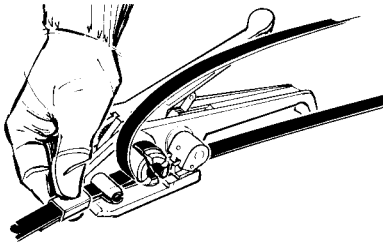
4. Hold the tool with your left hand and with the right hand, move the tension lever back and forth until the desired tension level has been applied.



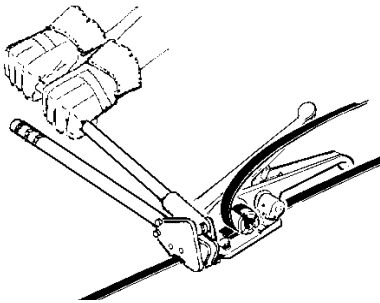
WARNING

Do not force the tension lever down against the release lever assembly as this will release the lower strap and result in a sudden loss of tension.

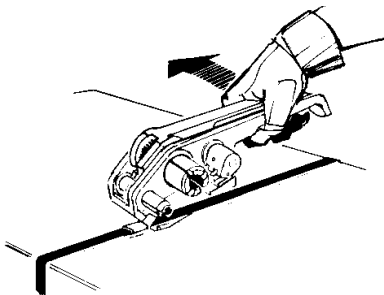
5. Place the seal over the straps and slide it towards the tool.



6. Using a Signode D-34 Sealer, fully open the operator handles and place the sealer directly on top of the seal. Press the sealer handles together to crimp the seal.



7. Remove sealer. Completely close the tension lever against the housing assembly. This action will sever the strap and release the gripper. Pivot the tensioner away from the strap.

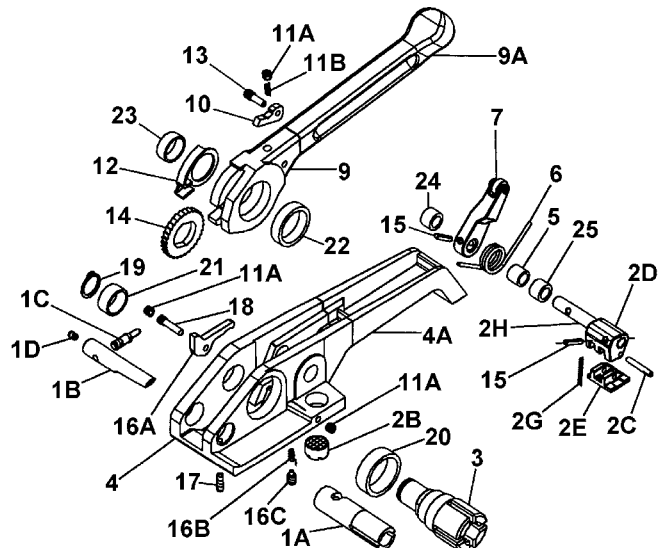


MAINTENANCE

1. Periodically lubricate all moving parts with one or two drops of light machine oil.
2. Clean the gripper of any dirt or strap residue, daily.
3. Inspect the tool for any worn and/or damaged parts.

PARTS LIST

KEY	QTY	PART #	DESCRIPTION
1A	1	425901	Cutter housing
1B	1	425902	Cutter blade
1C	1	425903	Cutter actuating pin
1D	1	425904	Set screw
2B	1	425906	Base plug
2C	1	425907	Gripper foot pin
2D	1	425908	Gripper foot housing
2E	1	425909	Gripper foot
2G	1	425910	Gripper spring
2H	1	425911	Gripper pin
3	1	425912	Windlass
4	1	425913	Base
4A	1	425914	Grip (base)
5	1	425915	Spacer
6	1	425916	Release lever spring
7	1	425917	Release lever assembly
9	1	425918	Handle
9A	1	425919	Grip (handle)
10	1	425920	Pawl (handle)
11A	1	425921	Set screw
11B	1	425922	Spring
12	1	425923	Cutter actuator
12	1	425924	Set screw (handle)
14	1	425925	Ratchet gear
15	1	425926	Roll pin
16A	1	425927	Pawl
16B	1	425928	Pawl spring
16C	1	425929	Set screw
17	1	425930	Set screw (cutter housing)
18	1	425931	Pawl retaining screw
19	1	425932	Circlip (windlass)
20	1	425933	Large bushing (base)
21	1	425934	Small bushing (base)
22	1	425935	Large brass bushing (handle)
23	1	425936	Small brass bushing (handle)
24	1	425937	Bronze bushing
25	1	425938	Bronze bushing
26	1	425939	Nameplate



WARNING

Inspect all parts daily and replace them if they are worn or broken. Failure to do this can affect a product's operation and could result in serious personal injury.