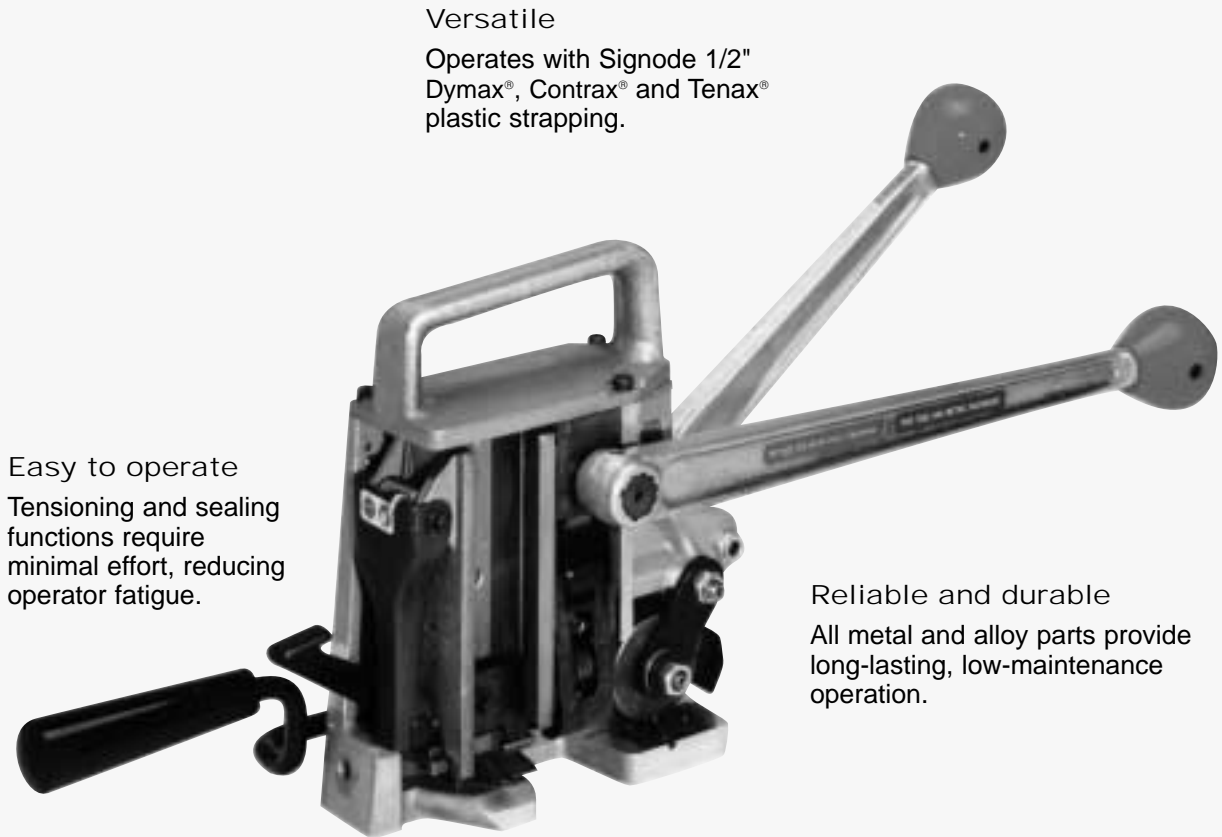


AST

Manual Combination Tool for Plastic Strapping



Versatile

Operates with Signode 1/2" Dymax®, Contrax® and Tenax® plastic strapping.

Easy to operate

Tensioning and sealing functions require minimal effort, reducing operator fatigue.

Reliable and durable

All metal and alloy parts provide long-lasting, low-maintenance operation.

Made in the U.S.A.

Specifications:

For use on 1/2" (12mm) Dymax, Contrax and Tenax plastic strapping.

Tension: Up to 250 lbs.

Base Length: 5-1/4"

Weight: 11 lbs.

Seal: 50 ASD

The AST manual combination tool is designed for 1/2" (12mm) plastic strapping. This versatile tool can be used on many traditional applications in industries such as lumber and graphics. Compared to other tools in its category, the AST is lighter and more durable.

 **SIGNODE®**

180 Hastings Dr
Buffalo Grove, IL 60089-6989