

OPERATION, PARTS AND SAFETY MANUAL



SIGNODE®

RCD-1431/3431

MANUALS SEALERS

**IMPORTANT!
DO NOT DESTROY**

**It is the customer's responsibility to
have all operators and servicemen
read and understand this manual.**

Contact your local Signode representative
for additional copies of this manual.

READ ALL INSTRUCTIONS BEFORE OPERATING THIS SIGNODE PRODUCT

SIGNODE • 3620 WEST LAKE AVENUE • GLENVIEW, ILLINOIS 60025 U.S.A.

SAFETY INSTRUCTIONS

READ THESE INSTRUCTIONS CAREFULLY.

FAILURE TO FOLLOW THESE INSTRUCTIONS CAN RESULT IN SEVERE PERSONAL INJURY.

GENERAL SAFETY CONSIDERATIONS

1. STRAP BREAKAGE HAZARD.

Improper operation of the tool or sharp corners on the load can result in strap breakage during tensioning, which could result in the following:

- A sudden loss of balance causing you to fall.
- Both tool and strap flying violently towards your face.



Failure to place the strap properly around the load or an unstable or shifted load could result in a sudden loss of strap tension during tensioning. This could result in a sudden loss of balance causing you to fall.

Read the tool's operating instructions. If the load corners are sharp use edge protectors. Place the strap correctly around a properly positioned load.

- Positioning yourself in-line with the strap, during tensioning and sealing, can result in severe personal injury from flying strap or tool. When tensioning or sealing, position yourself to one side of the strap and keep all bystanders away.

2. TRAINING.

This tool must not be used by persons not properly trained in its use. Be certain that you receive proper training from your employer. If you have any questions contact your Signode Representative.

3. EYE INJURY HAZARD.

Failure to wear safety glasses with side shields can result in severe eye injury or blindness. Always wear safety glasses with side shields which conform to ANSI Standard Z87.1 or EN 166.



4. FALL HAZARD.

Maintaining improper footing and/or balance when operating the tool can cause you to fall. Do not use the tool when you are in an awkward position.

5. CUT HAZARD.

Handling strap or sharp parts could result in cut hands or fingers. Wear protective gloves.



6. TOOL CARE.

Take good care of the tool. Inspect and clean it daily, lubricate it weekly and adjust when necessary. Replace any worn or broken parts.

7. WORK AREA.

Keep work areas uncluttered and well lighted.

Use the correct Signode products for your application. If you need help contact your Signode Representative.

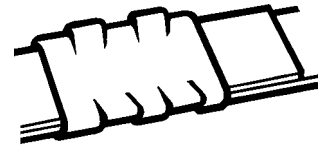
Signode tools and machines are designed and warranted to work together with Signode strapping and seals. Use of non-Signode strap, seals and/or manufactured or specified replacement parts may result in strap breakage or joint separation while applying strapping to a load or during normal shipping and handling. This could result in severe personal injury.

SAFETY PROCEDURES FOR TOOL OPERATION

1. OPERATION SEQUENCE.

Before using this tool, read its Operation and Safety Instructions contained in this manual.

2. This tool is a double reverse notch type sealer. A properly formed joint will appear as shown in the illustration. An improperly formed seal which does not have four good notches could result in strap separation which can result in serious personal injury or death. If the joint does not appear as shown, then the operator must proceed as follows:



- A. Ensure that the tool's operating instructions are being followed before applying another strap.
- B. Cut the strap off and apply another.

If the joint still does not appear as shown, then inspect the tool for worn and/or damaged parts. Replace tool parts as needed. **BEFORE MOVING ANY PACKAGE BE CERTAIN THAT THE SEAL IS FORMED WITH FOUR GOOD NOTCHES AS SHOWN.** Misnotched joints may not secure the load and could cause serious injury.

3. Tuck strap end back into the dispenser when not in use.

CUTTING TENSIONED STRAP

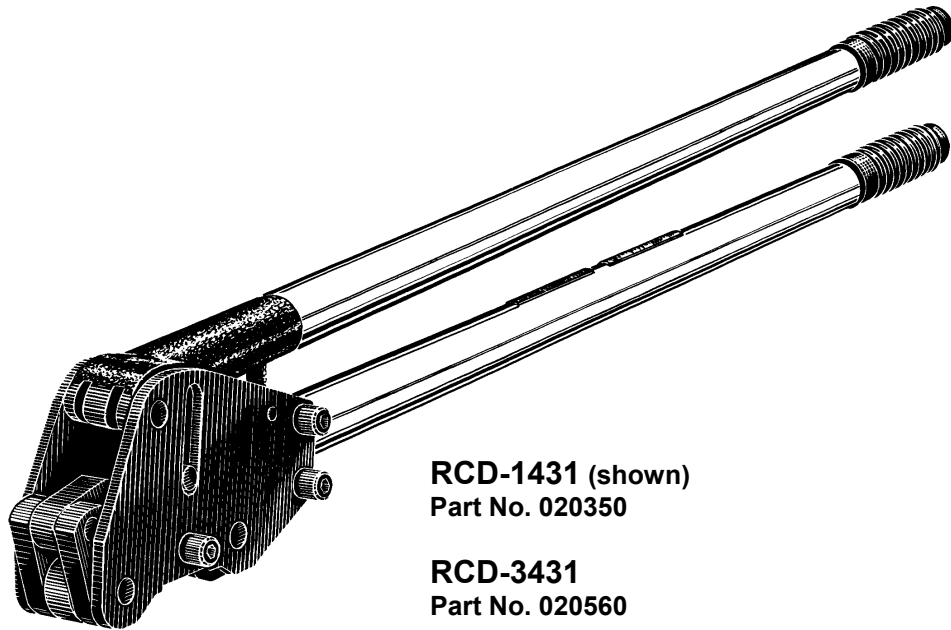
FLYING STRAP HAZARD.

Using claw hammers, crowbars, chisels, axes or similar tools will cause tensioned strap to fly apart with hazardous force. Use only cutters designed for cutting strap. Read the instructions in the cutters manual for proper procedure in cutting strap. Before using any Signode product read its Operation and Safety Manual.

TABLE OF CONTENTS

General Safety Instructions	2
Specifications	4
Operating Instructions	5
Parts List	6

Signode tools and machines are designed and warranted to work together with Signode strapping and seals. Use of non-Signode strap, seals and/or manufactured or specified replacement parts may result in strap breakage or joint separation while applying strapping to a load or during normal shipping and handling. This could result in severe personal injury.



RCD-1431 (shown)
Part No. 020350

RCD-3431
Part No. 020560

TOOL SPECIFICATIONS

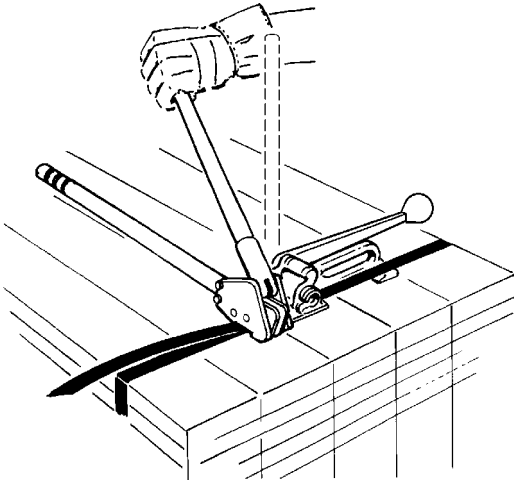
MODEL	TYPE	STRAP		SEALS
		WIDTH	THICKNESS	
RCD-1431	Magnus	1 1/4" (32mm)	.031" (0.78mm)	114 114OF 114P
RCD-3431		3/4" (19mm)	.025" to 0.031" (0.63-0.78mm)	34HC 34HOC

OPERATING INSTRUCTIONS

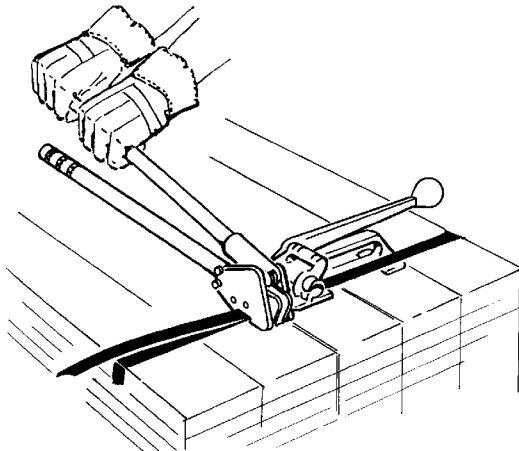
⚠ WARNING

Wear safety glasses which conform to ANSI Standard Z87.1 or EN 166. Stand to one side of the tensioned strap while sealing. Maintain proper footing and balance. Make sure all bystanders are clear before proceeding.

1. Fully open sealer handles and center the open jaws on the seal.



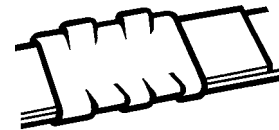
2. Bring sealer handles completely together to assure a proper notch.



3. Remove sealer and inspect strap joint for proper formation. Cut strap end with cutter placed close to seal.
4. To avoid contact with sharp end of strap, retract strap end back into strap dispenser.

JOINT INSPECTION

This tool is a double reverse notch type sealer. A properly formed joint will appear as shown in the illustration. An improperly formed seal which does not have four good notches could result in strap separation which can result in serious personal injury or death. If the joint does not appear as shown, then the operator must proceed as follows:



- A. Ensure that the tool's operating instructions are being followed before applying another strap.
- B. Cut the strap off and apply another.

If the joint still does not appear as shown, then inspect the tool for worn and/or damaged parts. Replace tool parts as needed. **BEFORE MOVING ANY PACKAGE BE CERTAIN THAT THE SEAL IS FORMED WITH FOUR GOOD NOTCHES AS SHOWN.** Misnotched joints may not secure the load and could cause serious injury.

TOOL MAINTENANCE

1. Clean the tool and apply light machine oil to all moving parts on a weekly basis.
2. Inspect the tool before each use for worn or broken parts. Replace parts if necessary.

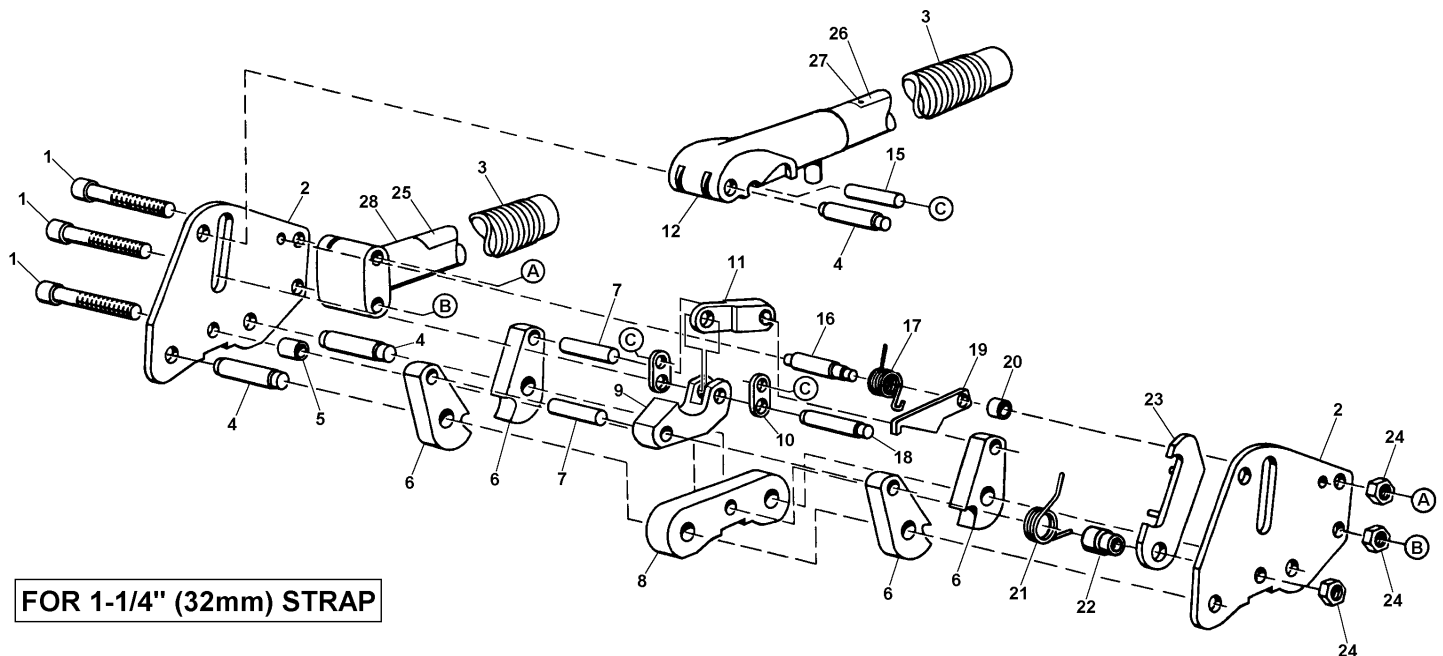
RCD-1431, PARTS LIST

<u>KEY</u>	<u>QTY.</u>	<u>PART NO.</u>	<u>DESCRIPTION</u>
1	3	020370	SHCS, 5/16-24 x 2 1/16
2	2	<u>020369</u>	Side plate
3	2	020378	Handle grip
4	3	<u>020366</u>	Jaw pin
5	1	020368	Spacer
6	4	<u>020365</u>	Jaw
7	2	<u>020361</u>	Toggle link pin
8	1	<u>020367</u>	Notcher
9	1	<u>020360</u>	Toggle link female
10	2	<u>020362</u>	Short link
11	1	<u>020359</u>	Toggle link male
12	1	020373	Upper handle arm assy
15	1	020363	Short link pin
16	1	<u>020355</u>	Latch trigger pin
17	1	<u>020357</u>	Trigger spring
18	1	<u>020364</u>	Link pin
19	1	<u>020356</u>	Latch trigger
20	1	020358	Trigger spacer
21	1	<u>020354</u>	Latch spring
22	1	020353	Latch spacer
23	1	<u>020351</u>	Latch
24	3	003911	Flexloc nut, thin, 5/16-24
25	1	003132	Danger sign
26	1	002480	Name plate
27	2	004939	Drive screw
28	1	020375	Lower handle arm assy

WARNING

Inspect all parts daily and replace them if they are worn or broken. Failure to do this can affect a product's operation and could result in serious personal injury.

- When ordering parts, please show tool model, part number and description.
- All recommended spare parts are underlined and should be stocked.
- Standard hardware parts may be obtained from local hardware suppliers.



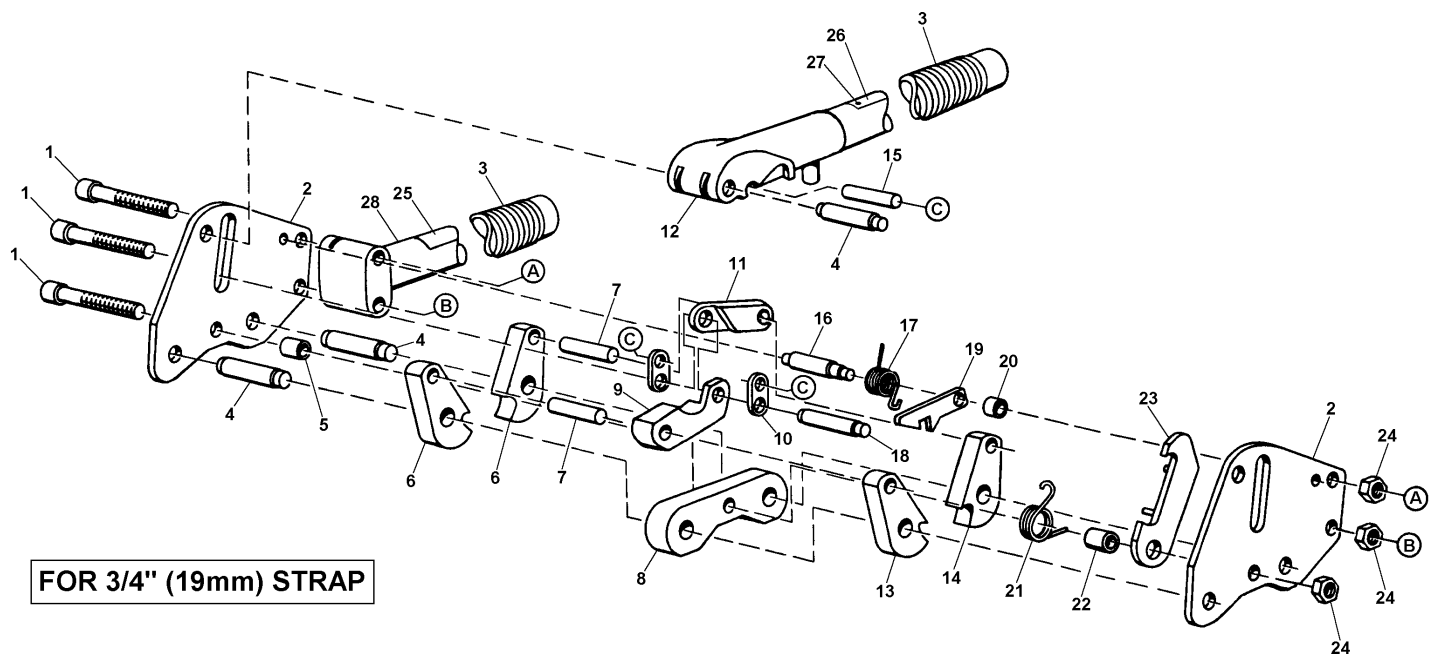
RCD-3431, PARTS LIST

<u>KEY</u>	<u>QTY.</u>	<u>PART NO.</u>	<u>DESCRIPTION</u>
1	3	004972	SHCS, 5/16-24 x 1 3/4
2	2	<u>020554</u>	Side plate
3	2	<u>020378</u>	Handle grip
4	3	<u>020573</u>	Jaw pin
5	1	<u>020577</u>	Spacer
6	2	<u>020556</u>	Jaw
7	2	<u>020571</u>	Toggle link pin
8	1	<u>020559</u>	Notcher
9	1	<u>020568</u>	Link
10	2	<u>020569</u>	Short link
11	1	<u>020567</u>	Long link
12	1	<u>020565</u>	Upper handle arm assy
13	1	<u>020557</u>	Left jaw
14	1	<u>020558</u>	Right jaw
16	1	<u>020574</u>	Trigger pin
17	1	<u>020563</u>	Trigger spring
18	1	<u>020572</u>	Link pin
19	1	<u>020566</u>	Trigger
20	1	<u>020358</u>	Trigger spacer
21	1	<u>020564</u>	Latch spring
22	1	<u>020576</u>	Latch spacer
23	1	<u>020351</u>	Latch
24	3	003911	Flexloc nut, thin, 5/16-24
25	1	003132	Danger sign
26	1	002480	Nameplate
27	2	004939	Drive screw
28	1	<u>020555</u>	Lower handle arm assy

WARNING

Inspect all parts daily and replace them if they are worn or broken. Failure to do this can affect a product's operation and could result in serious personal injury.

- When ordering parts, please show tool model, part number and description.
- All recommended spare parts are underlined and should be stocked.
- Standard hardware parts may be obtained from local hardware suppliers.



**SIGNODE
NEW TOOL WARRANTY**

Signode Engineered Products Warrants that a new Signode strapping tool will operate per functional specifications for a period of sixty (60) days after the date of shipment to the owner's place of business. Normal wearing parts, as outlined in the Operation, Parts & Safety manual, are covered by a thirty (30) day warranty unless, in Signode's judgement, these parts have been subjected to abnormal or extreme usage. Signode's sole liability hereunder will be to repair or replace, without charge, F.O.B. Signode's Glenview, Illinois plant, any tool which proves to not operate per functional specifications within the stated period. Signode reserves the right to replace any tool which proves not to operate per functional specifications with a new or like-new tool of the same model if in Signode's judgement such replacement is appropriate. Any new replacement tool provided to an owner will carry a full sixty (60) day warranty. Any warranty repaired tool or like-new replacement tool will carry a warranty for the balance of the time remaining on the initial sixty (60) day warranty. This warranty will be extended to compensate for the time the tool is in Signode's possession for warranty repairs.

This warranty is void as to any tool which has been: (I) subjected to mis-use, misapplication, accident, damage, or repaired with other than genuine Signode replacement parts, (II) improperly maintained, or adjusted, or damaged in transit or handling; (III) used with improperly filtered, unlubricated air or improper strapping material, (IV) in Signode's opinion, altered or repaired in a way that affects or detracts from the performance of the tool.

SIGNODE MAKES NO WARRANTY, EXPRESSED OR IMPLIED, RELATING TO MERCHANTABILITY, FITNESS OR OTHERWISE EXCEPT AS STATED ABOVE AND SIGNODE'S LIABILITY AS ASSUMED ABOVE IS IN LIEU OF ALL OTHERS ARISING OUT OF OR IN CONNECTION WITH THE USE AND PERFORMANCE OF THE TOOL. IT IS EXPRESSLY UNDERSTOOD THAT SIGNODE SHALL IN NO EVENT BE LIABLE FOR ANY INDIRECT OR CONSEQUENTIAL DAMAGES INCLUDING, BUT NOT LIMITED TO, DAMAGES WHICH MAY ARISE FROM LOSS OF ANTICIPATED PROFITS OR PRODUCTION, SPOILAGE OF MATERIALS, INCREASED COSTS OF OPERATION OR OTHERWISE.

Considerable effort has been made to ensure that this product conforms to our high quality standards. However, should you experience any difficulties, please contact your Sales Representative providing samples and the manufacturing code specified on the tool.

Thank you for your help.

**SIGNODE ENGINEERED PRODUCTS
Hand Tool Division
3620 W. Lake Avenue, Glenview, Illinois 60025**