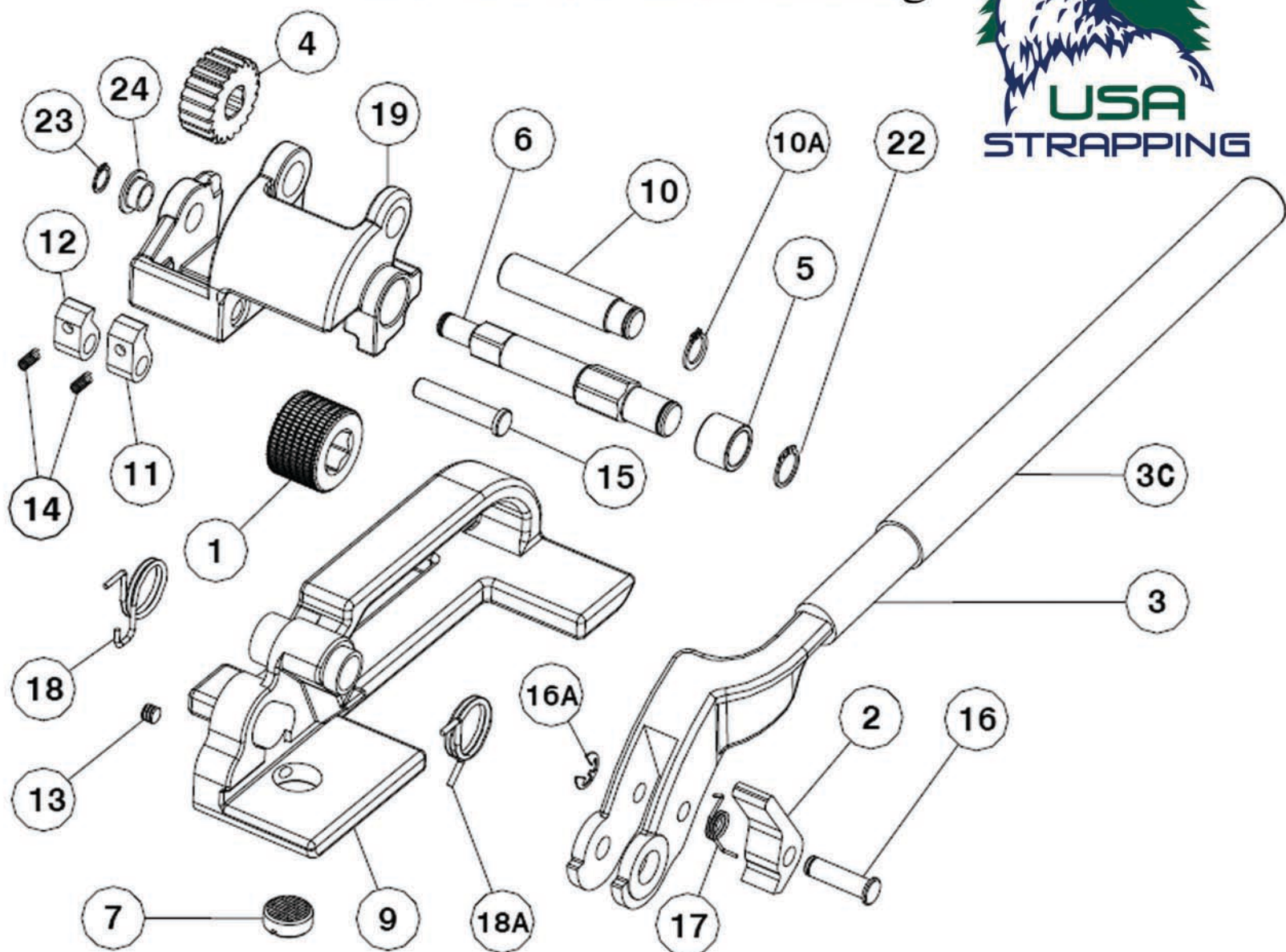


USA-1400 Feedwheel Tensioner

3/4" to 1-1/4" Steel Banding



KEY#	DESCRIPTION	QTY	PART#
• 1	Feedwheel	1	M1400-1
• 2	Handle Pawl	1	M1400-2
3	Handle	1	M1400-3
3C	Handle Grip	1	M1400-3C
• 4	Ratchet Gear	1	M1400-4
• 5	Bushing	1	M1400-5
• 6	Tension Shaft	1	M1400-6
• 7	Clutch Plug	1	M1400-7
9	Base	1	M1400-9
10	Support Pin	1	M1400-10
• 10A	Retaining Ring	1	M1400-10A
• 11	Long Pawl	1	M1400-11
• 12	Short Pawl	1	M1400-12

KEY#	DESCRIPTION	QTY	PART#
• 13	Clutch Plug Set Screw	1	M1400-13
• 14	Pawl Spring	2	M1400-14
15	Holding Pawl Pin	1	M1400-15
16	Handle Pawl Pin	1	M1400-16
• 16A	Retaining Ring	1	M1400-16A
• 17	Handle Pawl Spring	1	M1400-17
• 18	Right Support Spring	1	M1400-18
• 18A	Left Support Spring	1	M1400-18A
19	Support Frame	1	M1400-19
• 22	Retaining Ring - Large	1	M1400-22
• 23	Retaining Ring - Small	1	M1400-23
• 24	Flanged Bearing	1	M1400-24

* Indicates Key Wear Items

www.USAstrap.com