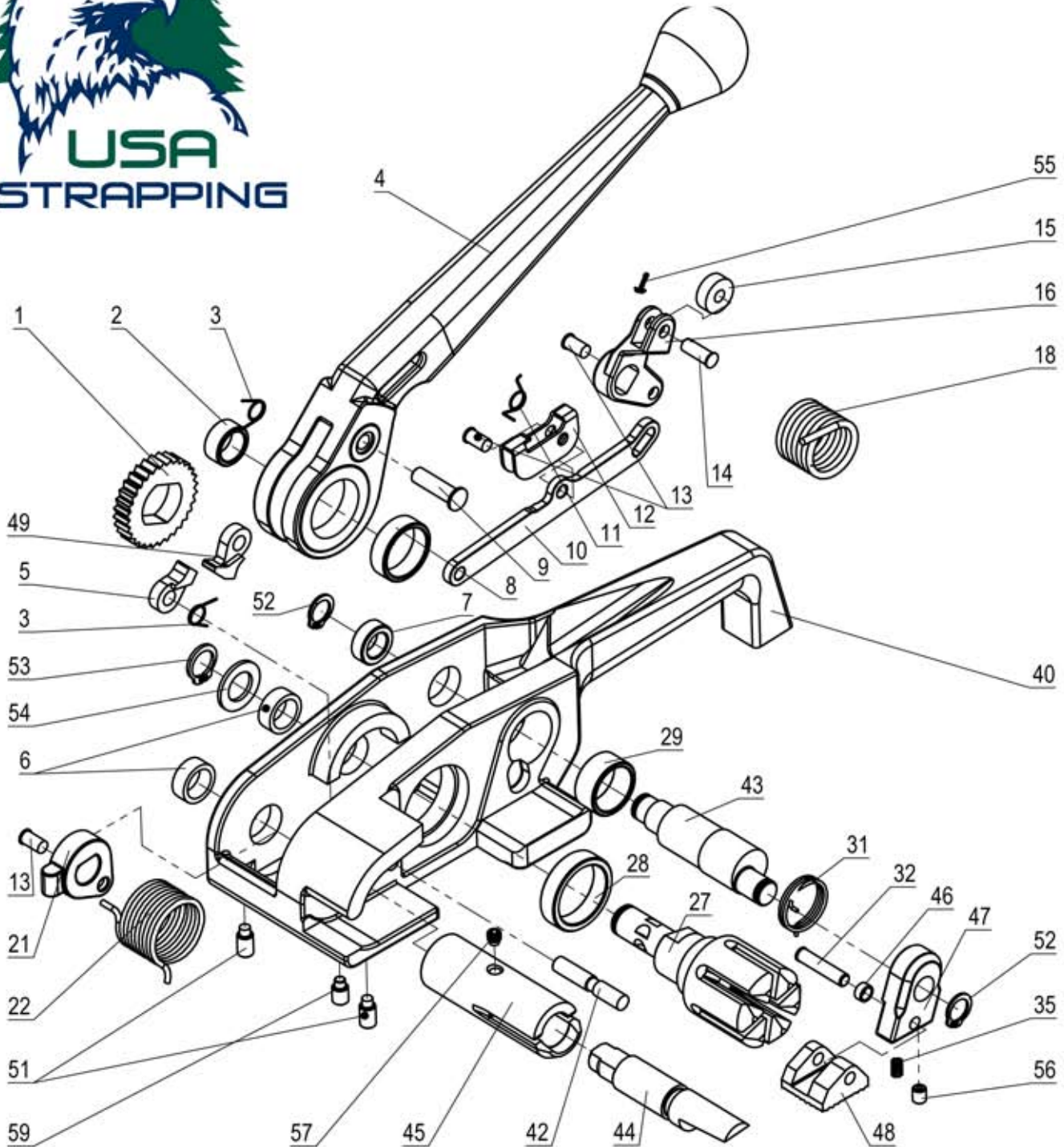




PRO-325

Heavy Duty Cord Tensioner



No.	KEY No.	PART DESCRIPTION	QTY.	No.	KEY No.	PART DESCRIPTION	QTY.	No.	KEY No.	PART DESCRIPTION	QTY.
1	320-01	RATCHET WHEEL	1	15	320-15	ROLLER	1	44	325-44*	CUTTER	1
2	320-02	HANDLE BUSHING, SMALL	1	16	320-16	LEVER	1	45	325-45*	CUTTER HOUSING	1
3	320-03	TENSION PAWL SPRING	2	18	320-18	LEVER SPRING	1	46	325-46	GRIPPER FOOT BUSHING	1
4	320-04	HANDLE	1	21	320-21	CUTTER PIVOT LINC	1	47	325-47	GRIPPER BODY	1
5	320-05	TENSION PAWL	1	22	320-22	CUTTER SPRING	1	48	325-48	GRIPPER FOOT	1
6	320-06	SIDE BUSHING	2	27	320-27	WINDLASS	1	49	325-49	TENSION PAWL	1
7	320-07	ECCENTRIC BUSHING, SMALL	1	28	320-28	WINDLASS BUSHING	1	51	320-51	SET SCREW M6X12 DOG POINT	2
8	320-08	HANDLE BUSHING, LARGE	1	29	320-29	ECCENTRIC BUSHING, LARGE	1	52	320-52	RETAINING RING 10	2
9	320-09	HANDLE PIN	1	31	320-31	GRIPPER SPRING	1	53	325-53	RETAINING RING 12	1
10	320-10	ARM	1	32	320-32	GRIPPER FOOT SHAFT	1	54	320-54	WASHER	1
11	320-11	ARM SPRING	1	35	320-35	GRIPPER FOOT SPRING	1	55	320-55	COTTER PIN	1
12	320-12	ARM PAWL	1	40	325-40	FRAME	1	56	325-56	GRIPPER FOOT SCREW	1
13	320-13	PIN	3	42	325-42	STRAP ROLLER SHAFT	1	57	325-57*	SET SCREW M5x5	1
14	320-14	ROLLER PIN	1	43	325-43	ECCENTRIC SHAFT	1	59	325-59	SET SCREW M6x10 DOG POINT	1

*Part of the Cutter Assembly, order Part No 325-50